

Date: _____ Project: _____

Notes: _____

BA15D TOWER LED BULB

Direct replacement for 25W halogen bulbs.

Features

- High brightness triple chip SMD LED technology
- Low wattage
- Simple replacement for halogen
- Long lifespan

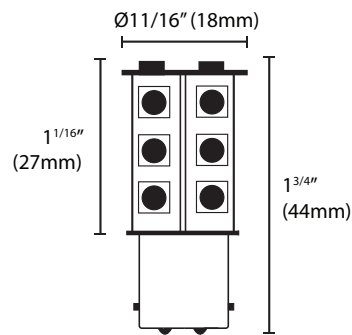
Applications

RV & Yacht | Dome light | Masthead light



Base	Double Bayonet base
Voltage	10-30V AC
Wattage	3W
Color Temp	3000K / 6000K
# of LEDs	18 - 5050 SMDs
Lumens	180
Replaceable	25W Halogen
Lifespan	+50,000 hours
Warranty	3-year

Dimensions



Ordering Codes

	Base	# of LEDs	Color Temp
LS -	BA15D	18	
	BA15D : Double Bayonet	18 : 18 SMDs	3K : 3000K 6K : 6000K