

Date: \_\_\_\_\_ Project: \_\_\_\_\_

Notes: \_\_\_\_\_

## RGBW DMX CONTROLLER

With pre-programmed modes and built-in WiFi router, the RGBW DMX controller provides full control and customization of your lighting experience.

### Features

- Glass touch sensitive interface to choose colors
- Includes a 15W LED Power Supply
- x2 WiFi antennas for maximum range
- Built in WiFi router for smartphone or tablet control via app
- 10 pre-programmed modes
- Controls up to 8 zones, group zone function
- 4 Channel RGBW compatible

### Operation

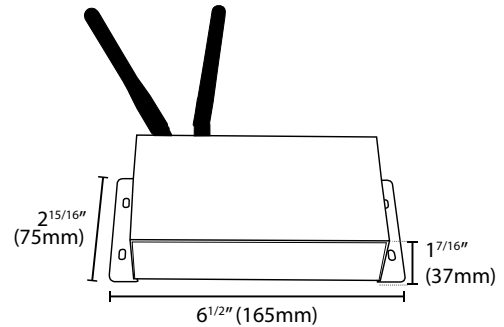
Can be operated in one of three ways:

- 1) **Smart-phone or Tablet** via downloadable app (**Easy Lighting**)
- 2) **Touch control interface**
- 3) **Wireless remote**, sold separately (LS-RGBW-MZR)



Product Code	LS-DMX-WC-RGBW
Input Voltage	12V DC
Input	DMX XLR
Output	DMX XLR / RJ45 DMX
Output Power	5W
Working Temp	0°C~+40°C
Warranty	2-year

### Dimensions



### Functions

