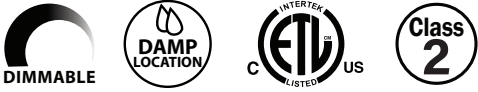


INDOOR DIMMABLE LED POWER SUPPLY



Variety of dimmable LED power supplies offer smooth full range dimming performance.

Wattage/Voltage Options

- 24W (12V / 24V) - Class 2
- 48W (12V / 24V) - Class 2
- 60W (12V / 24V) - Class 2

Technical Data

- Smooth full-range dimming performance, compatibility with all classes of dimmers and controllers (Triac, ELV, MLV)
- Dimmable through line voltage, requires no minimum load
- Microprocessor controlled for smooth fade-on/off
- Suitable for dry and damp locations
- Direct wire hook-up installation
- Hardwire install

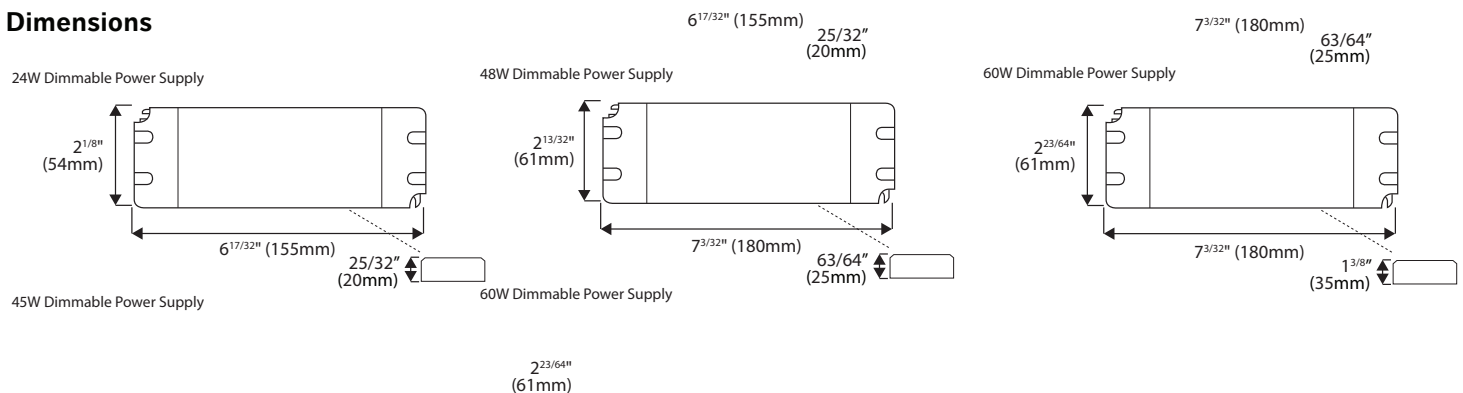


Dimmable through line voltage side, direct wire hook-up installation

Specifications

Output Voltage	12V DC			24V DC		
Output Power	Max. 24W	Max. 48W	Max. 60W	Max. 24W	Max. 48W	Max. 60W
Amperage	2A	4A	5A	1A	2A	2.5A
Input Voltage	120V AC					
Input Frequency	60Hz					
Housing	Polycarbonate plastic case					
Working Temp	24W Dimmable Power Supply			45W Dimmable Power Supply		
Warranty	3 Years					




Dimensions



Ordering Codes

	Voltage	Wattage	Product
LS -	<input type="text"/>	- <input type="text"/>	- <input type="text" value="CV"/>
	12V : 12 volts	24D : 24 watts dimmable	CV : Constant Voltage Driver
	24V : 24 volts	48D : 48 watts dimmable	
		60D : 60 watts dimmable	

Accessories

Image	Code	Product	Description
	LS-120V-SWITCH	8ft Plug	North American two prong plug, 120V, 2.4M (8') long cord.
	LS-JB-1	Junction Box	Fits 24W / 48W / 60W Dimmable power supplies. NEMA rated hardwire junction box, compatible with low voltage and triac dimmable power supplies. Dimensions: L330 x W76 x H38mm (L13 x W3 x H1 ^{1/2"})
	LS-WD-WT	Dimmer with Switch	120V AC, 60Hz, Single Pole, 150W output White Switch, dims 10-100%, fades up and down smoothly

Installation Guide

