

Date: \_\_\_\_\_ Project: \_\_\_\_\_

Notes: \_\_\_\_\_



## IN-GRADE SERIES 2023

Low voltage (12V) in concrete LED lights available in 1W, 3W, and 5W.

### Features

- Suitable for Wet / Damp / Dry Location
- Uplighting for concrete, wood & stone
- Walk Over and Drive Over Rated
- Stainless Steel 316
- High Brightness, CREE LED
- Dimmable
- +50,000 hour life span
- 3-year warranty

### Includes

- Gasketed LED Light engine with trim
- Two waterproof marettes & a tube of grease

### Installation

Recessed: Designed to be cast into earth, gravel, or concrete or inserted into paving stones or pavers. Concrete pour junction box sold separately.

### Finishes Available



Brushed  
Stainless  
Steel



### Applications

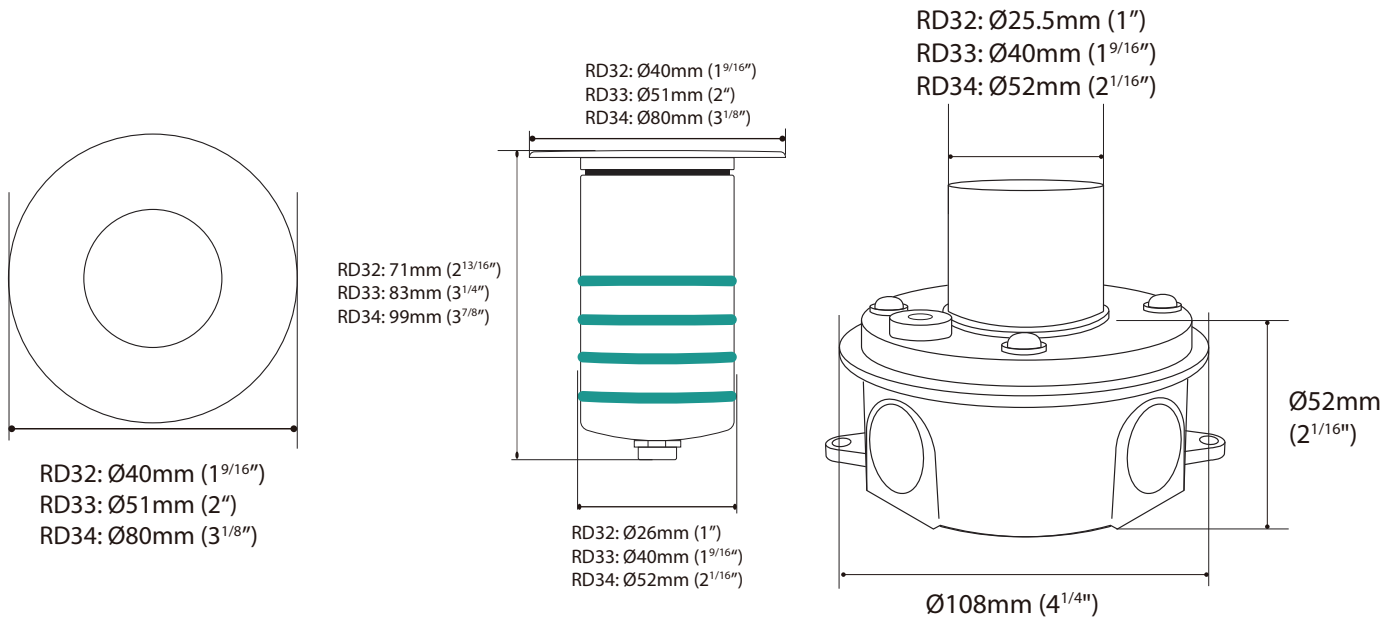
Concrete | Deck | In Floor | Landscape

### Specifications

Voltage	12V DC		
Wattage	1W	3W	5W
Color Temp	Warm White <b>3000K (In stock)</b> Warm White 2700K / 3500K Natural White 4000K / White 5000K / RGB (4-wire)		
# of LEDs	1 CREE LED		
CRI	>90		
Lumens	80	220	435
Beam Degree	40° (10°, 20°, 60° available as custom order)		
Dimmable	Yes		
Housing	Stainless Steel 316		
Wire Length	24" (600mm)		
Lifespan	+50,000 hours		
Warranty	3-year		



## Dimensions



## ORDERING CODES

### Light Engine

Product	Wattage	Color Temp
LS- RD32	<b>1W</b> : 1 watt	<b>3K</b> : 3000K (In stock)
RD33	<b>3W</b> : 3 watts	<b>27K</b> : 2700K (Non-stock)
RD34	<b>5W</b> : 5 watts	<b>35K</b> : 3500K (Non-stock)
		<b>4K</b> : 4000K (Non-stock)
		<b>5K</b> : 5000K (Non-stock)
		<b>RGB</b> : Multi-color (Non-stock)

## Accessories

Product	Code	Description
	LS-RD32-MJB	Concrete mounting box and plate for 1W CREE in concrete LED Light, J-Box pre-installed (plate/box) and packed in 1 box.
	LS-RD33-MJB	Concrete mounting box and plate for 3W CREE in concrete LED Light, J-Box pre-installed (plate/box) and packed in 1 box
	LS-RD34-MJB	Concrete mounting box and plate for 5W CREE in concrete LED Light, J-Box pre-installed (plate/box) and packed in 1 box