

0-10V LED DIMMABLE DRIVERS

Description

Dimmable constant voltage LED power supply suitable for wet locations.

Features

- For dry, damp or wet locations
- Constant voltage, PWM style output
- Built-in active PFC function
- No load power consumption <0.5W
- Function: 3 in 1 dimming (dim to off)
- Dimming Range: 0-100%
- Direct wire hook-up installation

Wattage/Voltage Options

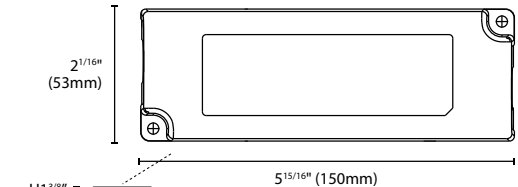
- 60W (12V) - Class 2
- 60W (24V) - Class 2
- 90W (12V)
- 90W (24V) - Class 2



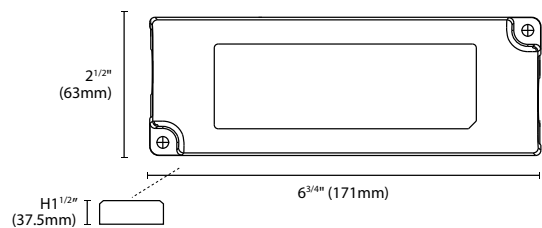
Output Voltage	12V/24V DC	
Output Power	Max. 60W	Max. 90W
Amperage	2.5A	3.75A
Input Voltage	90-305V AC	
Input Frequency	47-63Hz	
Housing	PC	
Working Temp	-40 ~ +85°C	
Warranty	3 years	

Dimensions

60W



90W

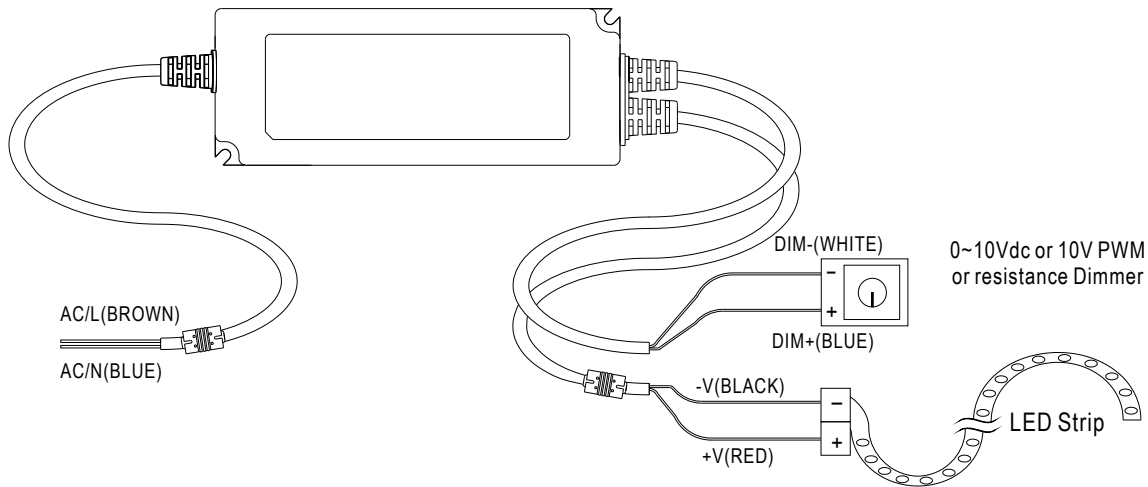


Ordering Codes

	Voltage	Wattage	Product
Description	LS - <input type="text"/>	- <input type="text"/>	- <input type="text" value="0-10V-CV"/>
	12V : 12V DC	60W : 60 watts	CV : Constant Voltage Driver
	24V : 24V DC	90W : 90 watts	

Installation

Connection for Blank-type



Cautions

- Before commencing any installation or maintenance work, please disconnect the power supply from the utility. Ensure that it cannot be re-connected inadvertently!
- Keep proper ventilation around the unit and do not stack any object on it. Also a 10-15cm clearance must be kept when the adjacent device is a heat source.
- Mounting orientations other than standard orientation or operate under high ambient temperature may increase the internal component temperature and will require a de-rating in output current.
- Current rating of an approved primary /secondary cable should be greater than or equal to that of the unit. Please refer to its specification.
- For LED drivers with waterproof connectors, verify that the linkage between the unit and the lighting fixture is tight so that water cannot intrude into the system.
- For dimmable LED drivers, make sure that your dimming controller is capable of driving these units. PWM series require 0.15mA each unit.
- Tc max. is identified on the product label. Please make sure that temperature of Tc point will not exceed limit.
- DO NOT connect "DIM- to Vo-".
- Suitable for indoor use or outdoor use without direct sunlight exposure. Please avoid immerse in the water over 30 minutes.
- The power supply is considered as a component that will be operated in combination with final equipment. Since EMC performance will be affected by the complete installation, the final equipment manufacturers must re-qualify EMC Directive on the complete installation again.