

INDOOR 6W LED POWER SUPPLY



The Indoor 6W features universal 100-240V AC power input with constant voltage and Class 2 rating.

Wattage/Voltage Options

- 6W (12V) - Class 2

Technical Data

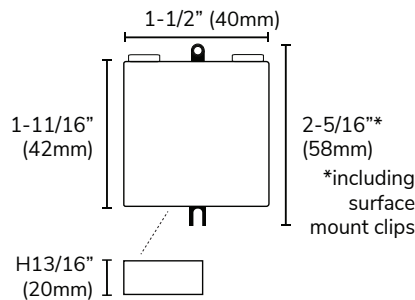
- Constant voltage
- Ultra mini size
- Short circuit and overload protection
- Surface mountable
- For indoor use only



Specifications

Output Voltage	12V DC
Output Power	Max. 6W
Amperage	0.5A
Input Voltage	100-240V AC
Input Frequency	50/60Hz
Housing	PC
Dimensions	L2 ^{5/16} x W1 ^{1/2} x H ^{13/16} " (L58 x W40 x H20mm)
Working Temp	-10°C~+40°C (14~+104°F)
Warranty	3 Years

Dimensions



Ordering Codes

	Voltage		Wattage		Product
LS -	12V	-	6W	-	CV
	12V : 12 volts		6W : 6 watts		CV : Constant Voltage Driver