



Wet location rated

Fits: Single gang junction box

12V DC Version Dimmable

with 12V DC Dimmable driver
(Sold separately)

Applications

- Step light
- Path light
- Deck light

Features

- cETLus Listed for Indoor & Outdoor Wet Applications
- Fits standard North American Junction box
- Simple to install
- +50,000 hour lifespan
- **3 Year Warranty**

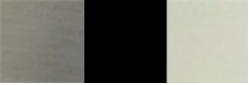


Includes: LED Light engine - Gasket & Trim

All **trims available** in all styles & colors: **Horizontal Louver, Vertical Louver, Scoop** and **Window**

- Black
- White
- Brushed Nickel



	120V AC	12V DC
Light Engine Code	LS-RT05HV-3K LS-RT05HV-4K	LS-RT05LV-3K LS-RT05LV- RGB
See bottom of page for trim codes		
Voltage	100 - 240V AC / 3K WW or 4K NW 12V DC - Warm white 3000K 12V DC RGB	
Wattage	120V - 2W / 12V - 2.2W	
Color Temperature	Warm white 3000K Natural white 4000K RGB (12V DC: 4 Wire system)	
Lumens	145	
Fits	Standard Single Gang Junction box	
Trim Options	Window, Horizontal Louver, Vertical Louver & Scoop	
Trim dimensions	L5 ^{15/64"} x W3 ^{11/32"} L133 x W85mm	
Finish options	 Brushed Black White Nickel	



Fits: Single gang junction box

Ordering code: Light engine

Light Engine Code Example:

LS-RT05HV-3K

Product	Color Temp
LS-RT05HV	3K

Code Breakdown

High voltage LS-RT05HV	3K = 3000K Warm white 4K = 4000K Natural white
Low voltage LS-RT05LV LV only stocked: 3k & RGB	3K = 3000K Warm white *RGB = Multi-color *RGB: Uses LV code for light engine

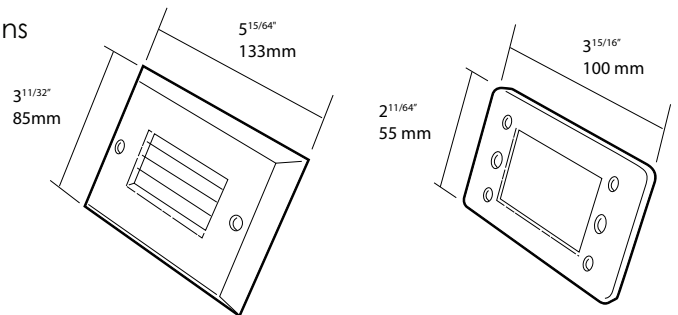
Ordering code: Trim style

Trim Code Example: LS-RT05-LVR-BN

Product	Trim Style	Trim Color
LS-RT05	LVR	BN

Code Breakdown

LS-RT05	WIN = Window LVR = Louver VLVR = Vertical Louver SC = Scoop	BK = Black WT = White BN = Brushed Nickel *BRZ = Bronze *Note: Bronze only available in horizontal louver
---------	--	---



LED Step Light / Standard Junction Box