



MR16

GU10

CREE LEDs ::: +35,000 hour Lifespan

Fully Dimmable

Damp location rated



Replaces: MR16 / GU10 50W Halogens

Product Code	LS-MR16-7W-XX LS-GU10-7W-XX
Voltage	12V AC/DC (MR16) 120V AC (GU10)
Wattage	7W
Base	GU5.3 (MR16) GU10
# of LEDs	1 COB Power LED
Beam degree	36°
Color Temperature	2700K / 3000K Warm white 5000K White
Dimensions MR16	Ø1 ^{31/32} x L2 ^{1/64} " (Ø50 x L51mm)
Dimensions GU10	Ø1 ^{31/32} x H2 ^{11/32} " (Ø50 x 55mm)
Lumen output	MR16 - 550 GU10 - 600
Dimmable	Yes
CRI	> 90

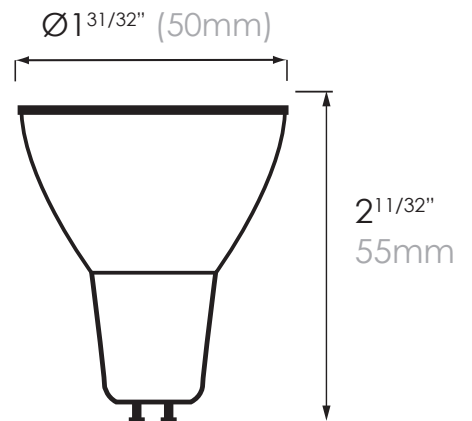
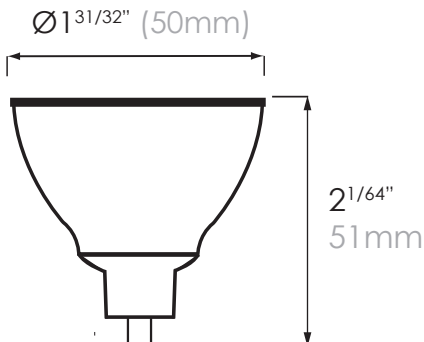
Applications

Track lighting
Recessed lighting
Downlighting
Spot lighting

Features

- Innovative COB lighting technology
- Rated lifespan +25,000 hours
- Cold forged aluminum heat sink
- Energy star rated
- Emits no UV - will not fade colors

3 Year Warranty



lumenstarled.com