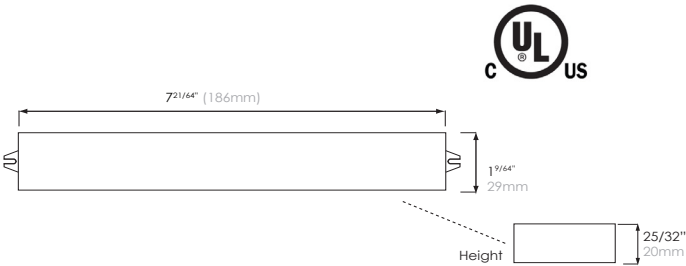


30W Indoor/Outdoor Power Supply



Applications

Used with 12V DC Products:

- Outdoor Lighting
- Cabinet Lighting
- Flexible strip Lighting
- Signage Lighting

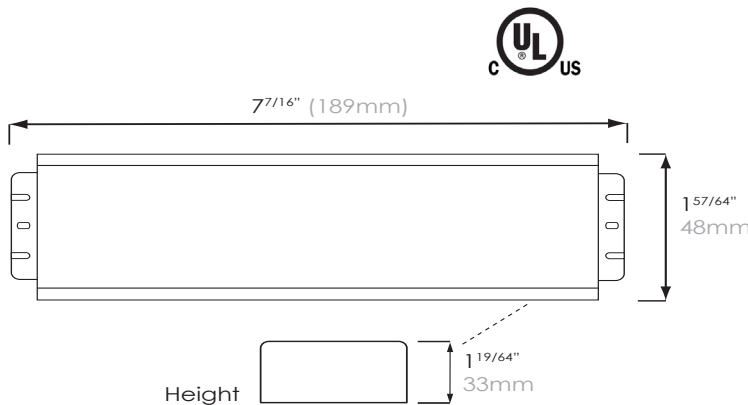
Product Code	LS-30W-O-Driver
Input	100 - 265AC (50 - 60Hz)
Output	12V DC (2.5A)
Wattage	30W max
Dimensions	L 7 ^{21/64} x W1 ^{9/64} x 25/32" L186 x W29 x H20mm

Technical data

- Short circuit and overload protection
- IP66 - Indoor/outdoor use
- Working temperature -25°C ~ +50°C
- Surface mountable
- 18" wire leads - Plug included
- **Class 2** power supply



60W Indoor/Outdoor Power Supply



Product Code	LS-60W-O-Driver
Input	100 - 265V AC (50 - 60Hz)
Output	12V DC (5A)
Wattage	60W
Dimensions	L7 ^{7/16} x 1 ^{57/64} x 1 ^{19/64} " L189 x W48 x H33mm

Technical data

- Short circuit and overload protection
- IP66 - Indoor/outdoor use
- Working temperature -25°C ~ +50°C
- Surface mountable
- 18" wire leads
- **Class 2** power supply