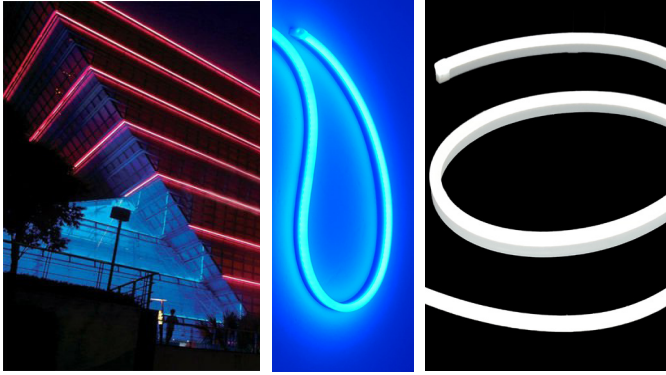


24V Low Voltage LED Neon



- **2.9W / Foot 9.6W / Meter**
- **Weather sealed** for outdoor use
- **ECO** Friendly **UV Protected silicone**
- Saltwater resistant
- 1 Meter (3.28') Wire lead
- **Dimmable***
- **CRI +85**



***Must be used with Lumenstar LED Neon Certified Dimmable Power supplies**

Product Code	10M(32.8'):	LS-NF-24-10-XX
Voltage	24V DC	
Wattage	9.6W/M (2.9W/FT)	
Color Temperature	Warm white 3000K / Daylight 4000K Cool white 6500K / Red / Green Blue / Yellow	
Stocked length	10M (32.8') Custom available (MOQ required)	
Lumens	585/M (178/FT)	
Beam angle	148°	
Material	UV Protected Silicone Jacket Saltwater Protected	
Cut Lengths	1 ^{31/32} " (50mm)	
Dimensions	W15/32" x H1 ^{17/64} " W12mm x H24mm	

Available in Custom lengths - 100' Max length (30M)

Cutable distance ::: 1-31/32" (50mm)

Applications

- Cove lighting
- Accent lighting
- Outdoor lighting
- Display lighting

Features

- **24V DC** Operation
- 100' (30M)
- **WW & WH : CRI 85**
- **V-2 Flame retardance**
- **Xbrite 24V LED Neon**
- Flexible & **Cutable** design

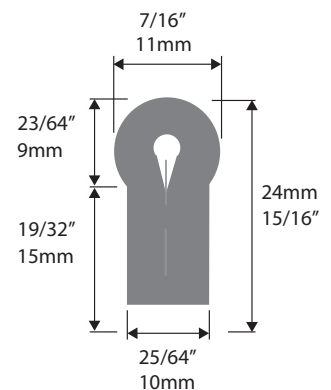


3 Year Warranty

Accessories

<p>SKU: LS-NF-EC</p>	<p>SKU: LS-NF-IC</p>	<p>SKU: LS-NF-CC</p>
<p>LS-NF-EPPF</p>	<p>LS-NF-BEPF</p>	
<p>LS-NF-SLMC</p>	<p>LS-NF-MC</p>	<p>LS-NF-AP</p>

Dimensions



lumenstarled.com